

MAGNUM MCHK-1 SINGLE PHASE SUBMERSIBLE PUMP CONTROLLER - COMPACT



MAGNUM Single Phase Submersible Pump CONTROLLER COMPACT is a powerful controlling device for your submersible pump made with heavy duty components, which protects the pump from hazards caused due to over-current.

APPLICATIONS

Magnum Single Phase Submersible Control Panels are powerful controlling devices for your submersible pumps which are used for domestic and agricultural installations. Magnum panels controls submersible pumps found in many applications such as,

- Drainage
- Sewage Pumping
- General Industrial Pumping
- Slurry Pumping

SALIENT FEATURES

- Seven tank treated MS powder coated enclosure to provide better corrosion resistance.
- Rugged MCH/ MMK-1 Contactor with wide voltage band (120V to 240V).
- Fitted with MCH/ MMK-1 type relay for reliable overload protection.
- Heavy duty-start and run capacitors.
- Fitted with ammeter to inspect the motor current and voltmeter to inspect the incoming power supply.
- Push button feature for voltmeter, ensuring usage only when required, thereby safeguarding the voltmeter.
- Individual indication lamps for power supply and motor running.

FUNCTIONS

- Switches your pump/motor on and off.
- Protects the pump from over current.
- Provides extra torque when the pump is being started.
- Maintains torque level while the pump is running.
- Indication of current drawn by the motor.
- Indication of voltage supplied to the panel.
- Indication of power supply.
- Indication of pump running.

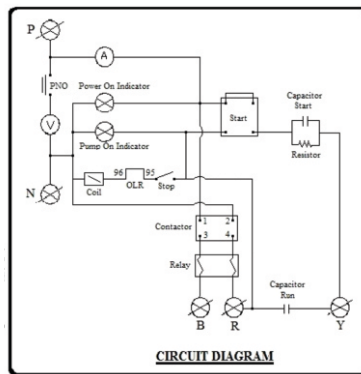
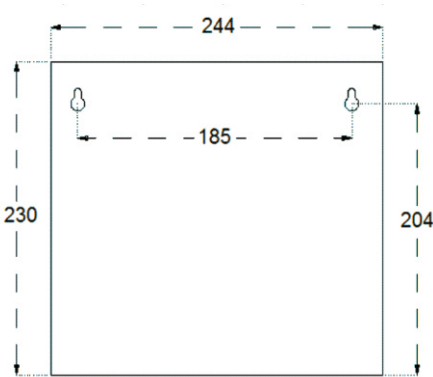
TECHNICAL SPECIFICATIONS

Power range: 0.5/ 0.75/ 1/ 1.5/ 2 and 3 H.P	Terminal Capacity: 1 * 16 (mm) ² or 2 * 10 (mm) ²
Contactor: MCH/ MMK-1 Contactor 2P	Single phase: 2 Poles - Coil voltage 180V/220V
Relay: MCH/ MMK-1 Relay 2P	Wide band of operating: 50% to 110% of rated coil voltage
Area: 244mm * 230mm * 128mm	Pick up voltage: Minimum 50% of coil rating
Weight: 3.2 - 3.6 Kilo grams	Drop off voltage: Below 38% of coil rating
Insulation Voltage Ac (Vi): 660V	Rated Operational Voltage: 200-220V, 50Hz

SELECTION AND ORDERING RATINGS

Sl. No	CATALOGUE NO	Type	Power (HP)	Relay Range (A)	Recommended Fuse/MCB (HRC) (A)
1	AM160	MCH	0.5	2.4 - 3.8	6
2	AM161	MCH	0.75	3.8 - 6	6
3	AM162	MCH	1	6 - 9.3	10
4	AM163	MCH	1.5	8.9 - 13.5	13
5	AM164	MCH	2	13.2 - 20	16
6	AM165	MCH	3	17.4 - 24	25
7	AM148	MMK-1	0.5	2.5 - 4	6
8	AM149	MMK-1	0.75	4 - 6.5	6
9	AM150	MMK-1	1	6 - 10	10
10	AM151	MMK-1	1.5	9 - 14	13
11	AM152	MMK-1	2	13 - 21	16
12	AM153	MMK-1	3	20 - 32	25
13	AM14	MCHK-1	0.5	2.5 - 4	6
14	AM106	MCHK-1	0.75	4 - 6.5	6
15	AM1	MCHK-1	1	6 - 10	10
16	AM2	MCHK-1	1.5	9 - 14	13
17	AM3	MCHK-1	2	13 - 21	16
18	AM15	MCHK-1	3	20 - 32	25

DIMENSIONS TO MOUNT THE CONTROLLER (mm) & CIRCUIT DIAGRAM



NOTE:

- 1) This panel has a manual push button which resets and switches off the application.
- 2) PNO Button- Voltmeter

where as,

- A: Ammeter
- V: Voltmeter
- OLR: Over Load Relay
- 2W: Connector
- PN: Input Power Supply
- RYB: Out to Motor Pumps

*The specifications shown may vary from the actual product. Please contact for the latest update.

MAGNUM PRODUCT RANGE

A. Major Product Lines

- Submersible Pump Panels- D.O.L (Single and Three Phase) •Open Well Pump Panels •DOL Motor Starters

B. Sub - Assemblies

- AC Contactors • Over Load Relays •Run & Start Capacitors •Preventer with Auto-Start- Voltage Sensing

C. Spares

- Contactor Housing •Push Buttons •Coils •Connectors •E-Core •Indicator Lamps •Rotary Switches •Analogue Meters
- Spare Part Kits •Motor Starter Spares

